

NT2-1000

Characteristics

Nominal Voltage		2V
Nominal Capacity (10 hour rate)		1000Ah
Capacity 25°C (77°F)	10 hour rate (100A)	1000Ah
	3 hour rate (250A)	750Ah
	1 hour rate (550A)	550Ah
Internal Resistance	Full Charged Battery 25°C (77°F)	0.2 mΩ
Cyclic Life	50% (C ₁₀) Depth of discharge	600Times
Float Life	25°C (77°F) Float charge at 13.8V	About 10 Years
Capacity affected by Temperature (10 hour)	40°C (104°F)	102%
	25°C (77°F)	100%
	0°C (32°F)	85%
	-15°C (5°F)	65%
Self-Discharge 25°C (77°F)	Capacity after 3 month storage	90%
	Capacity after 6 month storage	80%
	Capacity after 12 month storage	62%
Charge (Constant Voltage) 25°C (77°F)	Cycle	Initial Charging Current Less than 300A Voltage 2.30-2.35V
	Float	Voltage 2.25-2.30V

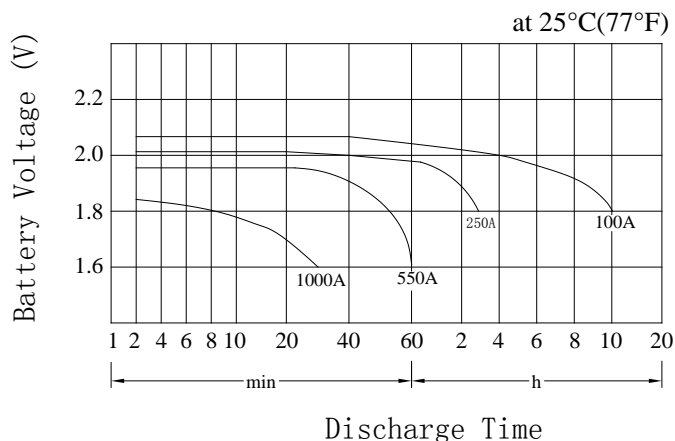
Product Image



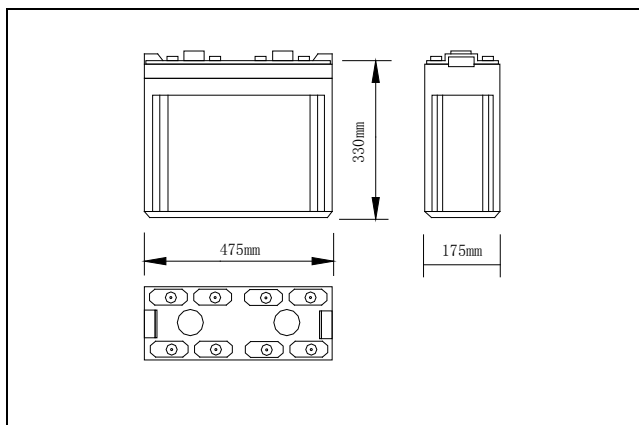
Packing

Battery (L×W×H)	mm ± 2	475×175×330
	inch	18.7×6.89×13.0
Box (L×W×H)	mm ± 2	503×196×445
	inch	19.8×7.7×17.5
Quantity Per Box		1 PCS
Net weight Per Cell		60.0 Kg
Net weight Per Box		60.0 Kg
Gross Weight		61.0 Kg

Discharge Curve



Product Dimensions



Battery Construction

Component	Positive plate	Negative plate	Container	Safety valve	Terminal	Separator	Electrolyte
Raw Material	Lead dioxide	Lead	ABS	Rubber	Pb	Fiberglass	Sulfuric acid

Discharge Characteristics

Voltage	Run Time (Constant Current and Power 25°C 77° F)					
	1h	2h	3h	5h	8h	10h
1.60V	1250	750	545	362	238	204
1.70V	1210	730	540	358	224	204
1.75V	1190	710	530	348	224	194
1.80V	1150	690	515	344	220	190