

NT2-800

Characteristics

Nominal Voltage		2V
Nominal Capacity (10 hour rate)		800Ah
Capacity 25°C (77°F)	10 hour rate (80A)	800Ah
	3 hour rate (200A)	600Ah
	1 hour rate (440A)	440Ah
Internal Resistance	Full Charged Battery 25°C (77°F)	0.27 mΩ
Cyclic Life	50% (C ₁₀) Depth of discharge	600Times
Float Life	25°C (77°F) Float charge at 13.8V	About 10 Years
Capacity affected by Temperature (10 hour)	40°C (104°F)	102%
	25°C (77°F)	100%
	0°C (32°F)	85%
	-15°C (5°F)	65%
Self-Discharge 25°C (77°F)	Capacity after 3 month storage	90%
	Capacity after 6 month storage	80%
	Capacity after 12 month storage	62%
Charge (Constant Voltage) 25°C (77°F)	Cycle	Initial Charging Current Less than 240A Voltage 2.30-2.35V
	Float	Voltage 2.25-2.30V

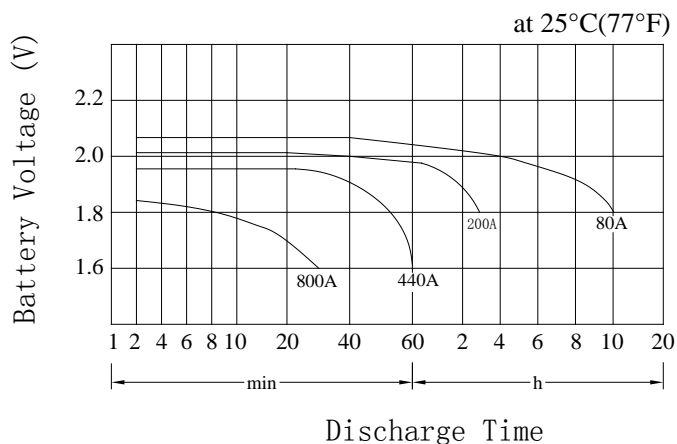
Product Image



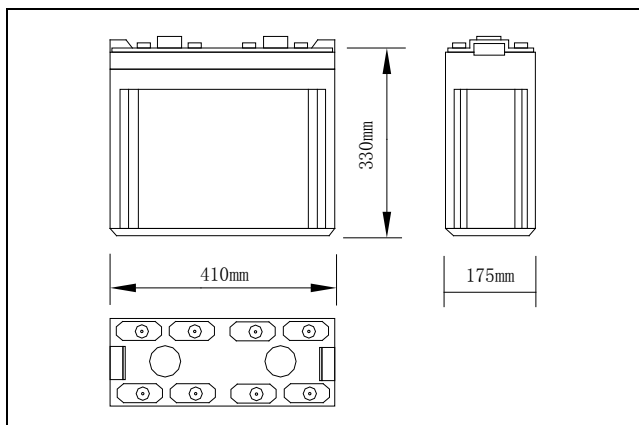
Packing

Battery (L×W×H)	mm ± 2	410×175×330
	inch	16.1×6.89×13.0
Box (L×W×H)	mm ± 2	438×196×445
	inch	17.2×7.7×17.5
Quantity Per Box		1 PCS
Net weight Per Cell		56Kg
Net weight Per Box		56Kg
Gross Weight		56.6 Kg

Discharge Curve



Product Dimensions



Battery Construction

Component	Positive plate	Negative plate	Container	Safety valve	Terminal	Separator	Electrolyte
Raw Material	Lead dioxide	Lead	ABS	Rubber	Pb	Fiberglass	Sulfuric acid

Discharge Characteristics

Voltage	Run Time (Constant Current and Power 25°C 77° F)					
	1h	2h	3h	5h	8h	10h
1.60V	1000	600	436	290	190	163
1.70V	968	584	432	286	179	163
1.75V	952	568	424	278	179	155
1.80V	920	552	412	275	176	152