

NTT2-600

Characteristics

Nominal Capacity (10 hour rate)		600Ah
Capacity 25°C (77°F)	10 hour rate (60A)	600Ah
	3 hour rate (150A)	450Ah
	1 hour rate (330A)	330Ah
Internal Resistance	Full Charged Battery 25°C (77°F)	0.35 m Ω
Cyclic Life	50%(C ₁₀) Depth of discharge	600Times
Float Life	25°C (77°F) Float charge at 13.8V	About 10 Years
Capacity affected by Temperature (10 hour)	40°C (104°F)	102%
	25°C (77°F)	100%
	0°C (32°F)	85%
	-15°C (5°F)	65%
Self-Discharge 25°C (77°F)	Capacity after 3 month storage	90%
	Capacity after 6 month storage	80%
	Capacity after 12 month storage	62%
Charge (Constant Voltage) 25°C (77°F)	Cycle	Initial Charging Current Less than 180A Voltage 2.43-2.50V
	Float	Voltage 2.25-2.30V

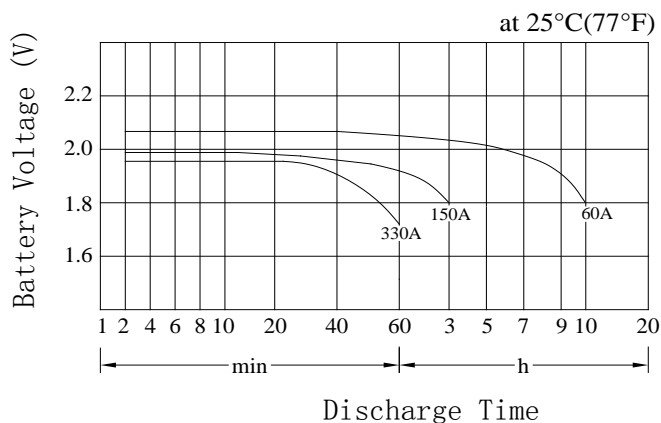
Product Image



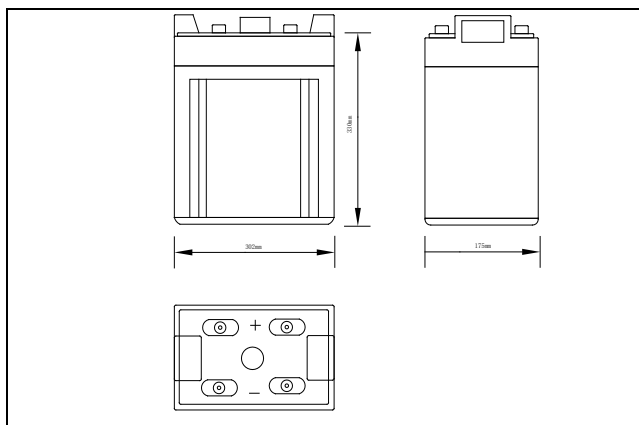
Packing

Battery (L×W×H)	mm ± 2	302×175×330×366
	inch	11.9×6.89×13.0×14.41
Box (L×W×H)	mm ± 2	330×196×416
	inch	13.0×7.7×16.4
Quantity Per Box		1 PCS
Net weight Per Cell		35.5 Kg ± 200g
Net weight Per Box		35.5Kg
Gross Weight		36.5Kg

Discharge Curve



Product Dimensions



Battery Construction

Component	Positive plate	Negative plate	Container	Safety valve	Terminal	Separator	Electrolyte
Raw Material	Lead dioxide	Lead	ABS	Rubber	Pb	Fiberglass	Sulfuric acid

Discharge Characteristics

Voltage	Run Time (Constant Current and Power 25°C 77° F)					
	1h	2h	3h	5h	8h	10h
1.60V	750	450	328	218	142	122
1.70V	726	438	324	214	134	122
1.75V	714	426	318	208	134	116
1.80V	690	414	310	206	132	114