

NTT2-300

Characteristics

Nominal Capacity (10 hour rate)		300Ah
Capacity 25°C (77°F)	10 hour rate (30A)	300Ah
	3 hour rate (75A)	225Ah
	1 hour rate (165A)	165Ah
Internal Resistance	Full Charged Battery 25°C (77°F)	0.6 mΩ
Cyclic Life	50% (C ₁₀) Depth of discharge	600Times
Float Life	25°C (77°F) Float charge at 13.8V	About 10 Years
Capacity affected by Temperature (10 hour)	40°C (104°F)	102%
	25°C (77°F)	100%
	0°C (32°F)	85%
	-15°C (5°F)	65%
Self-Discharge 25°C (77°F)	Capacity after 3 month storage	90%
	Capacity after 6 month storage	80%
	Capacity after 12 month storage	62%
Charge (Constant Voltage) 25°C (77°F)	Cycle	Initial Charging Current Less than 90A Voltage 2.43-2.50V
	Float	Voltage 2.25-2.30V

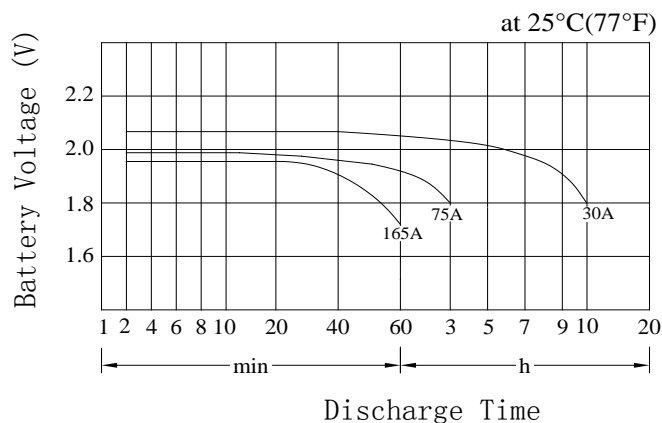
Product Image



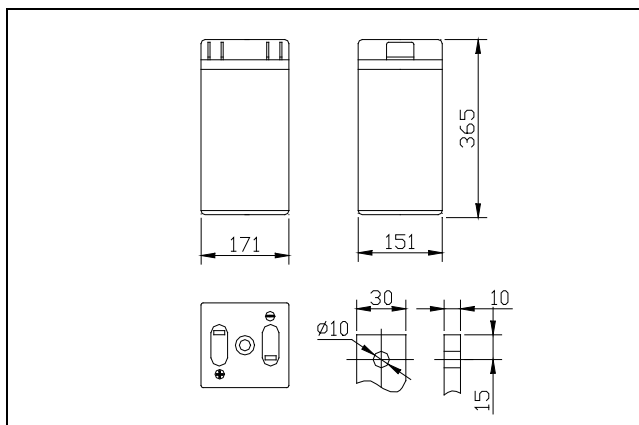
Packing

Battery (L×W×H)	mm ± 2	171×151×365
	inch	6.74×5.95×14.4
Box (L×W×H)	mm ± 2	200×175×438
	inch	7.87×6.89×17.3
Quantity Per Box		1 PCS
Net weight Per Cell		19.6 Kg ± 100g
Net weight Per Box		19.6 Kg
Gross Weight		20.0 Kg

Discharge Curve



Product Dimensions



Battery Construction

Component	Positive plate	Negative plate	Container	Safety valve	Terminal	Separator	Electrolyte
Raw Material	Lead dioxide	Lead	ABS	Rubber	Pb	Fiberglass	Sulfuric acid

Discharge Characteristics

Voltage	Run Time (Constant Current and Power 25°C 77° F)					
	1h	2h	3h	5h	8h	10h
1.60V	375	225	164	109	71	61
1.70V	363	219	162	107	67	61
1.75V	357	213	159	104	67	58
1.80V	345	207	155	103	66	57