

NTT2-200

Characteristics

Nominal Capacity (10 hour rate)		200Ah
Capacity 25°C (77°F)	10 hour rate (20A)	200Ah
	3 hour rate (50A)	150Ah
	1 hour rate (110A)	110Ah
Internal Resistance	Full Charged Battery 25°C (77°F)	0.65m Ω
Cyclic Life	50% (C ₁₀) Depth of discharge	600Times
Float Life	25°C (77°F) Float charge at 13.8V	About 10 Years
Capacity affected by Temperature (10 hour)	40°C (104°F)	102%
	25°C (77°F)	100%
	0°C (32°F)	85%
	-15°C (5°F)	65%
Self-Discharge 25°C (77°F)	Capacity after 3 month storage	90%
	Capacity after 6 month storage	80%
	Capacity after 12 month storage	62%
Charge (Constant Voltage) 25°C (77°F)	Cycle	Initial Charging Current Less than 60A Voltage 2.43-2.50V
	Float	Voltage 2.25-2.30V

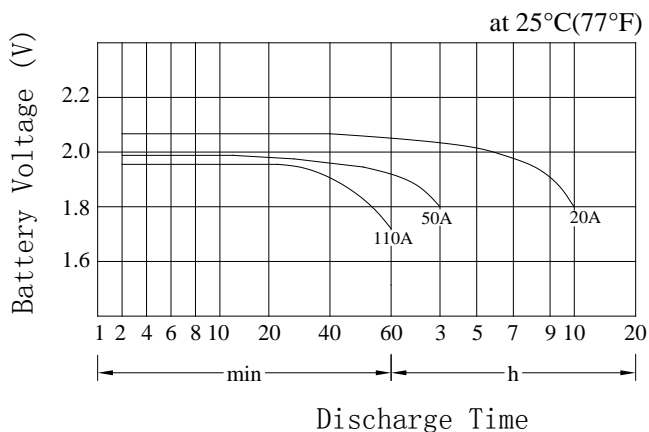
Product Image



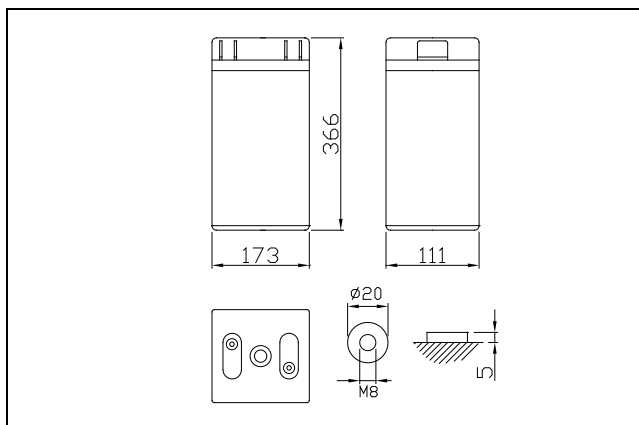
Parking

Battery (L×W×H)	mm ± 2	173×111×366
	inch	6.82×4.37×14.4
Box (L×W×H)	mm ± 2	200×250×438
	inch	7.88×9.85×17.3
Quantity Per Box		2 PCS
Net weight Per Cell		14.3 Kg ± 100g
Net weight Per Box		28.6 Kg
Gross Weight		29.0 Kg

Discharge Curve



Product Dimensions



Battery Construction

Component	Positive plate	Negative plate	Container	Safety valve	Terminal	Separator	Electrolyte
Raw Material	Lead dioxide	Lead	ABS	Rubber	Pb	Fiberglass	Sulfuric acid

Discharge Characteristics

Voltage	Run Time (Constant Current and Power 25°C 77° F)					
	1h	2h	3h	5h	8h	10h
1.60V	250	150	109	72.4	47.6	40.8
1.70V	242	146	108	71.6	44.8	40.8
1.75V	238	142	106	69.6	44.8	38.8
1.80V	230	138	103	68.8	44.0	38.0